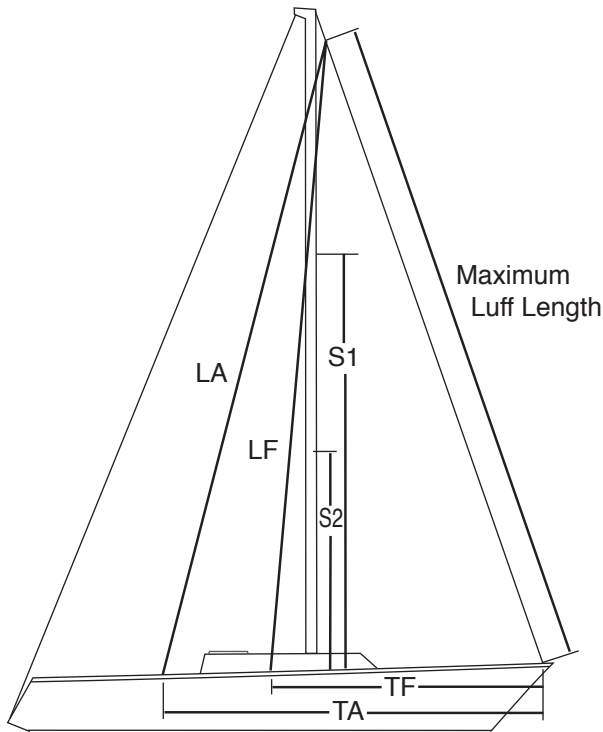


**NOTE: DO NOT Measure Old Sails!**



**1. Maximum Luff Length** = \_\_\_\_\_  
(Measured by attaching a tape measure to your halyard Shackle, then raising the halyard to the maximum hoist and then measuring to Tack Point Shackle or Bale.  
(See Tack and Head Fittings diagram)

**2. Max Leech Length**  
LF - Leech Forward = \_\_\_\_\_ LA - Leech Aft = \_\_\_\_\_  
(Measured from the top of the halyard hoist to LF the forward end of the genoa track and to LA the back of the genoa track)

**3. Track Location**  
TF - Track Forward = \_\_\_\_\_ TA - Track Aft = \_\_\_\_\_  
(TF and TA should be measured from the base of the headstay to the forward end of the genoa track, and the base of the headstay to the aft end of the track respectively)

**4. Forestay and Tack Information** (please choose one)

Slotted Foil Headstay: (Tuff Luff, Gemini, etc.)

Manufacturer \_\_\_\_\_

Model Number \_\_\_\_\_

Foil Tape size \_\_\_\_\_

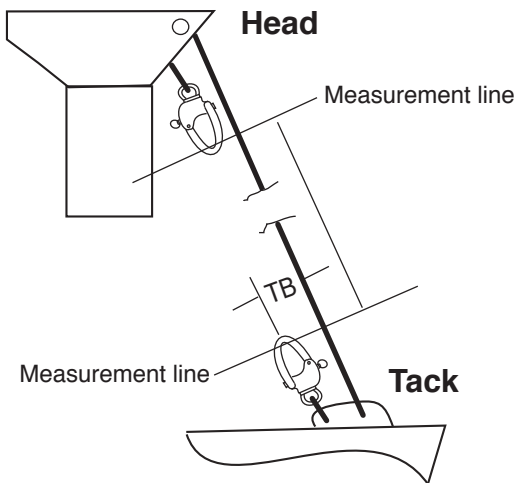
Tackback TB = \_\_\_\_\_

Hanks or Snaps:

Forestay Diameter = \_\_\_\_\_

Tackback TB = \_\_\_\_\_

## Tack and Head Fittings: Non-Furling Genoa



**5. Tack Fitting (Please Indicate)**



Hook



Snap



Closed

Customer: \_\_\_\_\_

Boat Type: \_\_\_\_\_

Sail # \_\_\_\_\_

Color # \_\_\_\_\_