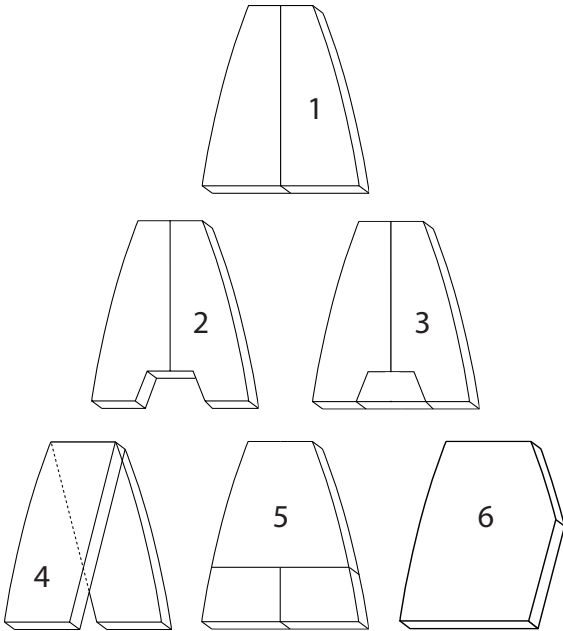
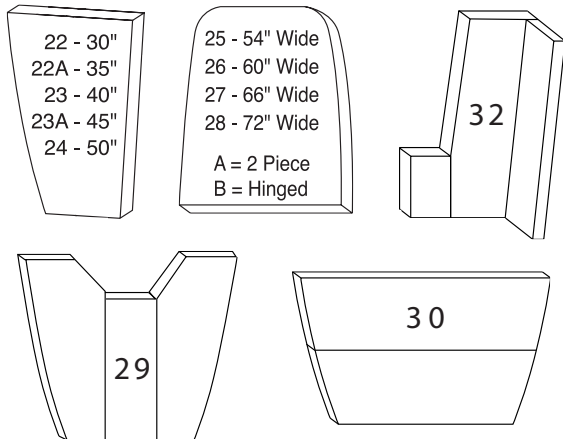


If your boat's interior needs a complete refacing, foam replacement or recovering, just call the experts at JSI! We offer the best foam choices for your interior, optimal fabric selections and can help you get the best fit at a reasonable price. Whether you're starting from a bare hull or upgrading your interior for spring launch, do what the pros do - **CALL JSI!**

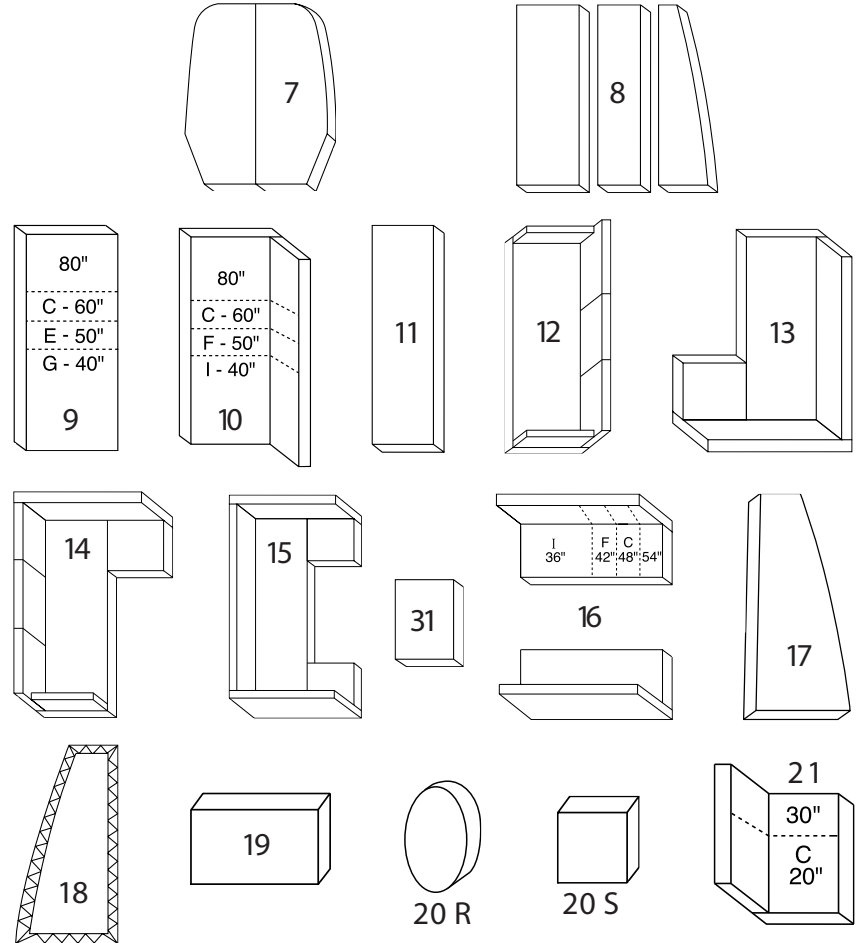
FORWARD CUSHIONS



AFT CUSHIONS



SALON CUSHIONS



EASY 4 STEP ORDERING INSTRUCTIONS

1. Determine your needs by referring to the diagram above.
2. Call JSI with the numbers on the diagram pertaining to your project to get quote.
3. If the quote is acceptable, request a **Pattern Pack** for \$15.00, which is refundable with your cushion order.
4. Pattern your boat and return the patterns along with a deposit and specifics on material and construction style.

1. "V" Berth
2. Walk-In "V" Berth
3. "V" Berth and Filler Cushion
4. "V" Berth Over/Under
5. 3 Piece "V" Berth
6. Forward Double Berth
7. Forward Center Double Berth
8. Forward Upper/Lower Berth
9. Settee
10. Settee & Back
11. Settee Filler
12. Settee & Back w/Arm Rests

13. "L" Dinette
14. "L" Dinette w/ 2 Seats & 5 Backs
15. "U" Dinette
16. Parallel Dinette
17. Pilot Berth
18. Pipe Berth
19. Nav. Seat 18" x 30" Loose
- 20 R. Navigation Seat - 14" Round
- 20 S. Navigation Seat - Square
21. Navigation Seat & Back
22. Quarter Berth - 30" Wide
- 22 A. Quarter Berth - 35" Wide

23. Quarter Berth - 40" Wide
- 23 A. Quarter Berth - 45" Wide
24. Quarter Berth - 50" Wide
25. Centerline Double - 54"
26. Centerline Double - 60"
27. Centerline Double - 66"
28. Centerline Double - 72"
29. Double QB w/Center Filler
30. Athwartship Double
31. Filler / Seat
32. Aft Cabin Lounge