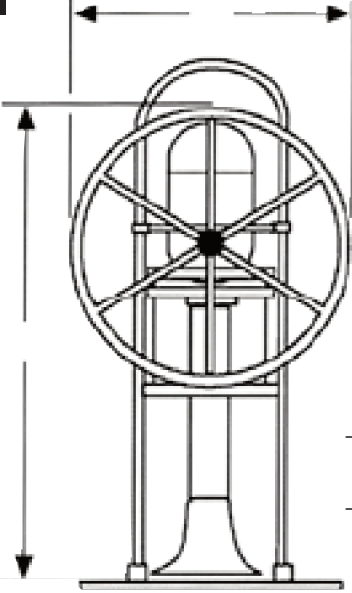
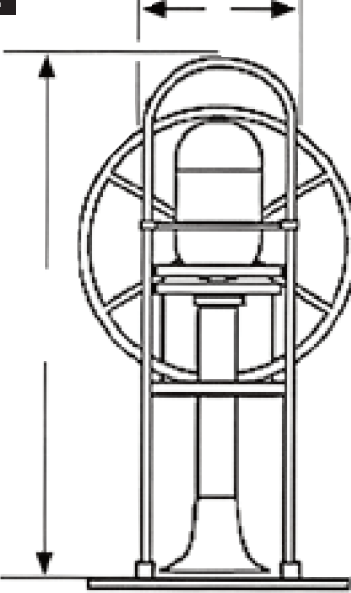
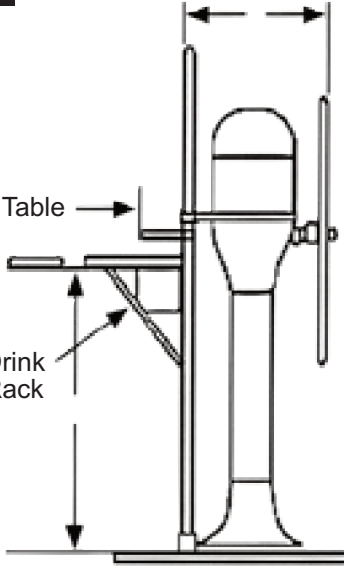
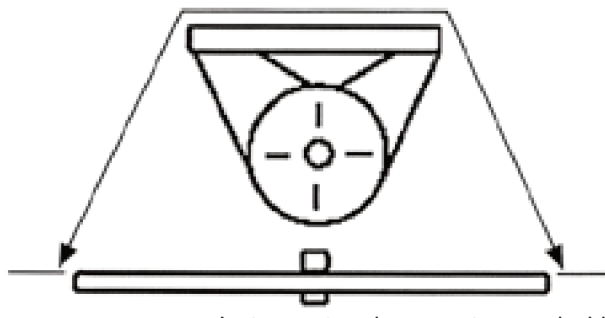




Pedestal Cover Measurement Form

Standard style for wheel, pedestal and guard only. Custom constructed from Sunbrella® acrylic to your specifications. Measurements needed. Please be sure to include measurements of tables, drink racks, or instrument pods if applicable.

<p>1</p>  <p style="text-align: right;">Wheel Side</p> <p style="text-align: right;">_____ Wheel Diameter</p> <p style="text-align: right;">_____ Sole to Top of Wheel</p>	<p>2</p>  <p style="text-align: right;">Guard Side</p> <p style="text-align: right;">_____ Guard Diameter</p> <p style="text-align: right;">_____ Sole to Top of Guard</p>
<p>3</p>  <p style="text-align: right;">Side View</p> <p style="text-align: right;">_____ Distance between Wheel and Guard</p> <p style="text-align: right;">_____ Distance from Sole to Table</p> <p style="text-align: right;">_____ Distance Drink Rack Extends from Guard</p> <p style="text-align: right;">_____ Is Guard Straight or Bent?</p> <p>H Please be sure to include the measurements of tables, drink racks, or instrument pods if applicable.</p>	<p>4</p> <p style="text-align: center;">Top View</p> <p style="text-align: center;">_____ Distance from One Edge of Wheel Around Guard to Other Edge of Wheel</p>  <p style="text-align: center;">Instrument pods can not exceed width or dia. of wheel and need to be mounted between guard and wheel</p>

Basic Cover
\$ 308

Name: _____

Address: _____

City: _____ State: _____ Zip: _____

Phone: _____ Email: _____

Boat: _____ *Color: _____

*Up to 50 different Sunbrella® color choices available. Call about the colors and extra options available.

FLORIDA UV Package add 15%
Premium Sunbrella add 15%